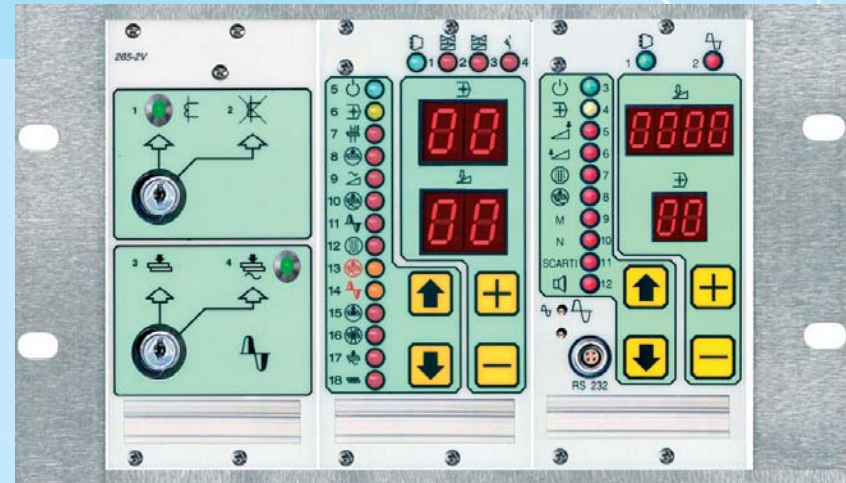


IP3/S 1560



SINGLE PHASE TRANSFORMER TYPE:

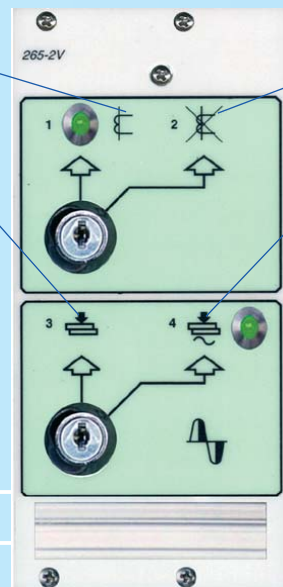


TR 4029

PRIMARY VOLTAGE:	400 V
FREQUENCY HZ:	50-60 Hz
RATED POWER:	35 KVA 50%
SECONDARY VOLTAGE:	5,1 Volt
WEIGHT:	30 Kg

TA -- Current transformer ON

Current OFF - NO WELD

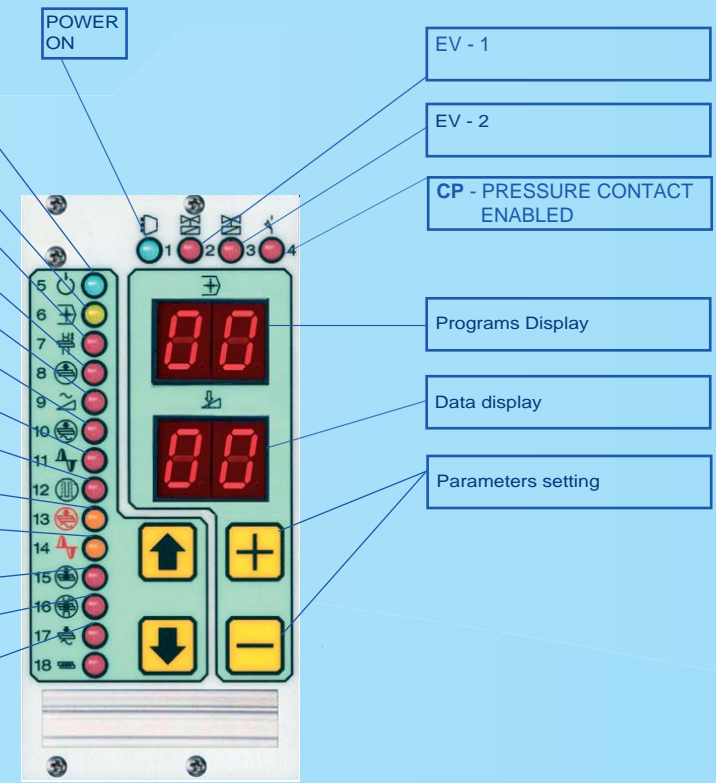


TA - Current transformer OFF

Current ON - WELD

SAFECO systems s.r.l.

- STAND BY UNIT READY
- Local Programs Selection
- Presqueeze Time
- Squeeze Time
- Slope Time
- Weld time
- Weld Current
- Cool Time
- Test Time
- Test Current
- Hold Time
- Open Clamp Time
- Weld - No Weld



- READY - DIGICONTROL READY
- Programs - Program Setting or running
- Max. percentage value
- Min. percentage value
- Reading periods
- Reading number
- VALUE M - Setting quantity of reading in which have the max numbers N of reject
- VALUE N - Setting of the max number of reject reading on M
- Rejections delay Setting delay of exit reject
- ALARM - Alarm enable output
- MV - Input signal amplifier
- Range amplifier
- RS232 - Interface for PC or printer

